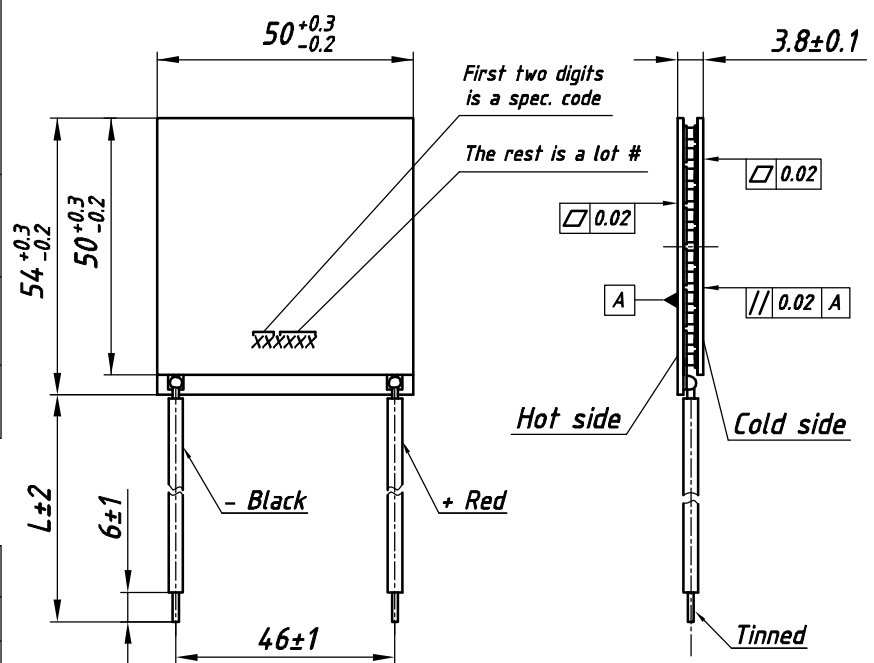


**TECHNICAL DATA**

$U_{max}$	27.9 V	$T_{hot}=25^{\circ}C$ Vacuum
$Q_{max}$	179 W	
$\Delta T_{max}$	72°	
$I_{max}$	11.0 A	
ACR at 25°C	2.27 Ohm	
Pad type	Hot side	Ceramics $Al_2O_3$ , white 96%
	Cold side	
Max. processing temperature	Depends on chosen solder type	
Standard tolerances for thermal and electrical parameters $\pm 10\%$		

**MODULE DRAWING**  
*standard design*



**STANDARD ORDERING OPTIONS**

Nº	Option	Parameter		
1	Lead wires	AWG Nº		
		18	20	22
		L - under customer request		
3	Lead wires insulation	Type / Max. processing temp.		
		Without insulation / See solder type m.p.t		
		PVC-1 / 85° C		
		PVC-2 / 105° C		
		Silicone / 180° C		
4	Internal solder	Type / Max. processing temp.		
		Type-1 / 138° C		
		Type-2 / 183° C *		
		Type-3 / 227° C		
5	Anticorrosional coating	yes	no	
		Type / Max. processing temp.		
6	Sealing	Without sealing / 200° C		
		Epoxy / 130° C		
		Silicone / 180° C		

**AVAILABLE MODIFICATIONS**

Design	Description
TM-241-1.6-11.0 M	Porch-style design with high reliable version on cold side
TMC-241-1.6-11.0 MM	Porch-style design with high reliable version on both sides for thermal cycling applications

**OPTIONS UPON REQUEST**

Height tolerance	$\pm 0.02$
Unflatness and nonparallelism	$\pm 0.02$

- Solder type marked \* is not compliant to RoHS (2002/95/EC)
- For another options consult of our technical support engineers

Performance graphs for TM-241-1.6-11.0 module at  $T_h=25\text{ }^\circ\text{C}$   
 Environment: vacuum

