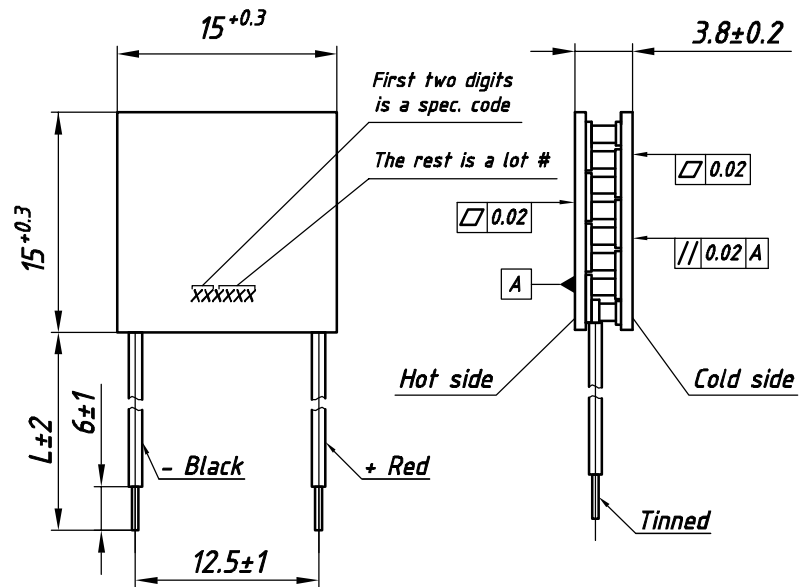


# TM-17-1.4-6.0

## TECHNICAL DATA

$U_{max}$	2.0 V	$T_{hot}=25^{\circ}C$ Vacuum
$Q_{max}$	7.5 W	
$\Delta T_{max}$	72°	
$I_{max}$	6.5 A	
ACR at 25°C	0.27 Ohm	
Pad type	Hot side	Ceramics $Al_2O_3$ , white 96%
	Cold side	
Max. processing temperature	Depends on chosen solder type	
Standard tolerances for thermal and electrical parameters $\pm 10\%$		

## MODULE DRAWING standard design



## STANDARD ORDERING OPTIONS

Nº	Option	Parameter		
1	Lead wires	AWG Nº		
		18	20	22
		L - under customer request		
2	Lead wires insulation	Type / Max. processing temp.		
		Without insulation / See solder type m.p.t		
		PVC-1 / 85° C		
		PVC-2 / 105° C		
		Silicone / 180° C		
3	Internal solder	Type / Max. processing temp.		
		Type-1 / 138° C		
		Type-2 / 183° C *		
		Type-3 / 227° C		
4	Anticorrosional coating	yes	no	
		Silicone / 180° C		
5	Sealing	Type / Max. processing temp.		
		Without sealing / 200° C		
		Epoxy / 130° C		
		Silicone / 180° C		

## AVAILABLE MODIFICATIONS

Design	Description
TM-17-1.4-6.0 M	High reliable version on cold side

## OPTIONS UPON REQUEST

Height tolerance	$\pm 0.02$
Unflatness and nonparallelism	$\pm 0.02$
Porch-style design	

- Solder type marked \* is not compliant to RoHS (2002/95/EC)
- For another options consult of our technical support engineers

Performance graphs for TM-17-1.4-6.0 module at Th=25 °C  
Environment: vacuum

