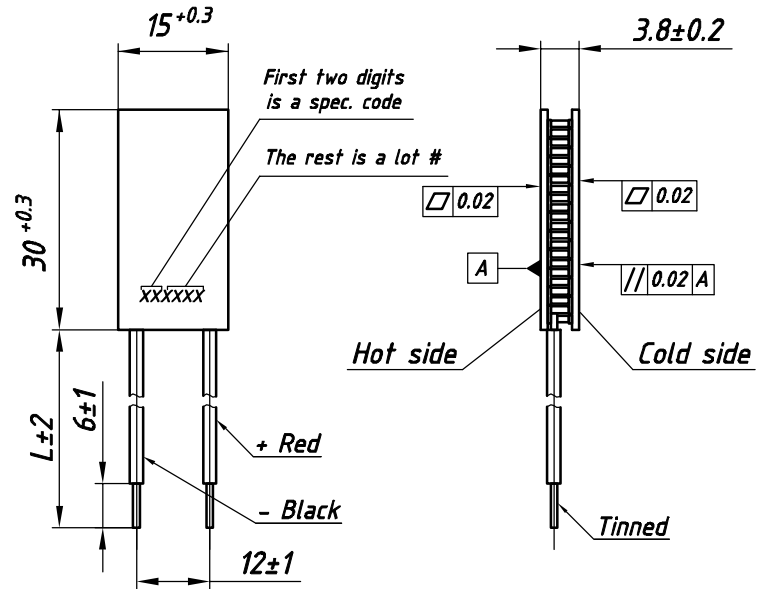


TECHNICAL DATA

| | | |
|--|-------------------------------|---|
| U_{max} | 4.0 V | $T_{hot}=25^{\circ}C$ Vacuum |
| Q_{max} | 15.4 W | |
| ΔT_{max} | 72° | |
| I_{max} | 6.5 A | |
| ACR at 25°C | 0.55 Ohm | |
| Pad type | Hot side Cold side | Ceramics Al ₂ O ₃ , white 96% |
| Max. processing temperature | Depends on chosen solder type | |
| Standard tolerances for thermal and electrical parameters ±10% | | |

MODULE DRAWING
standard design



STANDARD ORDERING OPTIONS

| Nº | Option | Parameter |
|----|-------------------------|--|
| 1 | Lead wires | AWG Nº |
| | | 18 20 22 |
| | | L - under customer request |
| 2 | Lead wires length | Type / Max. processing temp. |
| | | Without insulation / See solder type m.p.t |
| | | PVC-1 / 85° C |
| | | PVC-2 / 105° C |
| | | Silicone / 180° C |
| 3 | Lead wires insulation | Type / Max. processing temp. |
| | | Type-1 / 138° C |
| | | Type-2 / 183° C * |
| | | Type-3 / 227° C |
| | | Type-4 / 232° C |
| 4 | Internal solder | yes no |
| | | Type / Max. processing temp. |
| 5 | Anticorrosional coating | Without sealing / 200° C |
| | | Epoxy / 130° C |
| | | Silicone / 180° C |
| | | |

AVAILABLE MODIFICATIONS

| Design | Description |
|-----------------|------------------------------------|
| TM-35-1.4-6.0 M | High reliable version on cold side |

OPTIONS UPON REQUEST

| | |
|-------------------------------|--------|
| Height tolerance | ± 0.02 |
| Unflatness and nonparallelism | ± 0.02 |
| Porch-style design | |

- Solder type marked * is not compliant to RoHS (2002/95/EC)
- For another options consult of our technical support engineers

Performance graphs for TM-35-1.4-6.0 module at Th=25 °C
 Environment: vacuum

